

Cinderella®

CINDERELLA COMFORT Model Comfort NA

Dépôt conseil 6 février. *[Signature]*
M. Kingberry.

■ ■ ■ Made in Norway



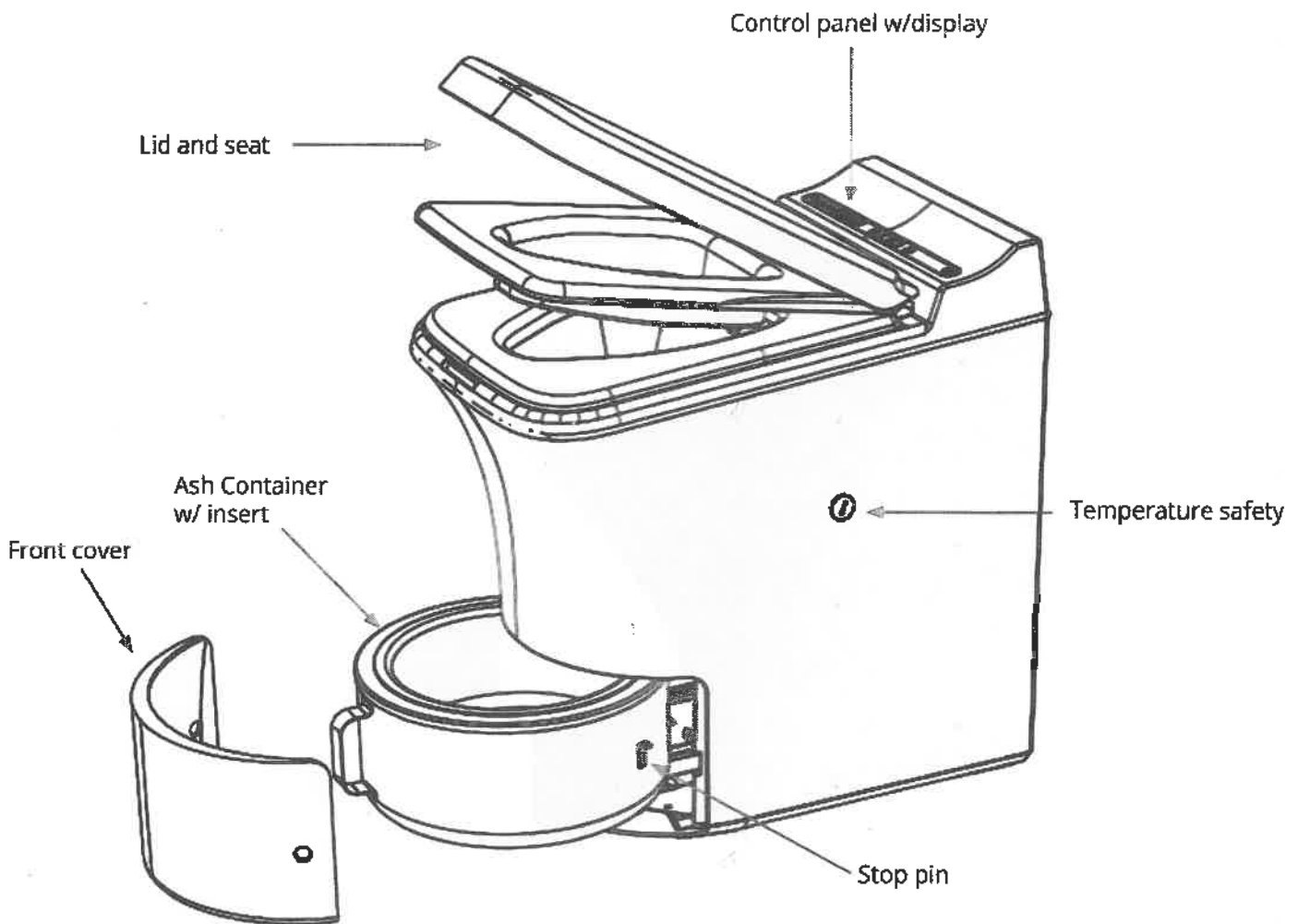
INTRODUCTION

Congratulations, you are now the proud owner of the Cinderella Comfort incineration toilet. Manufactured in Norway for over two decades, Cinderella incineration toilets lead the market as the most technologically advanced and popular incineration toilets in the world.

Your new Cinderella Comfort is our most convenient and innovative model yet. Featuring a ground-breaking new exterior air circulation system and other conveniences such as a handy digital display, Cinderella Comfort provides a substantially more comfortable experience for users, and sets an entirely new standard of quality among water-free toilets.

With proper use and care, your new Comfort incineration toilet will provide great service for many years to come. This user manual contains detailed information about product specifications, usage, maintenance, troubleshooting and more.

ORIENTATION



TECHNICAL SPECIFICATIONS

Appliance Specification	Imperial	Metric
Seated height	21 1/4 in	540 mm
Height	23 5/8 in	600 mm
Width	15 3/8 in	390 mm
Depth	23 1/4 in	590 mm
Weight	75 lbs	34 kg
Ventilation pipe diameter	4 5/16 in	110 mm
Capacity	3-4 deposits/hour	
Ventilation fan	12 V DC (Noise: 51 dB)	
Voltage	220-240 VAC, 10 AMP	
Power consumption	2000W	
Noise level	51 dB	



All safety instructions in this manual are marked with this symbol. Please be sure to pay close attention to all instructions given in this manual, especially when you see this symbol.



Do not operate your Cinderella Comfort until you have thoroughly read and you completely understand all instructions and safety rules described in this manual. Save this manual and review it frequently to ensure continuing safe operation, and for instructing any other users.



Energy consumption per incineration will vary between 1.0-2.0 kWh, depending on the quantity of waste and use.



To avoid shock hazard:

1. Always unplug your Cinderella Comfort before performing any electrical maintenance.
2. Do not operate the toilet if the cord is damaged or you suspect an electrical malfunction.

To avoid burn hazard:

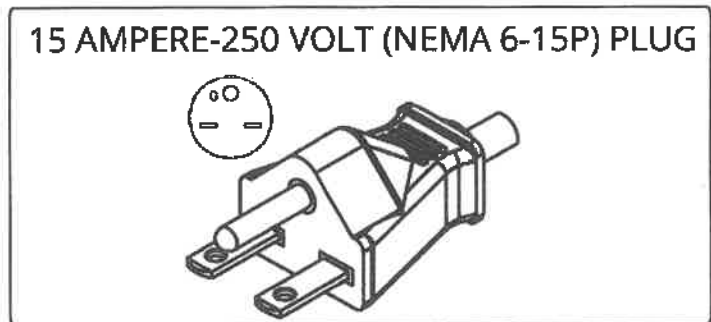
1. Do not remove the ash container until the toilet has cooled completely.
2. Young children must be supervised when they use Cinderella incineration toilets.
3. Do not install the toilet in an explosive atmosphere.
4. Never burn trash or garbage in Cinderella incineration toilets as it may damage the toilet or cause injury.



The Cinderella Comfort incineration toilet is designed to incinerate human feces, urine, tampons, and toilet paper only. Using Cinderella Comfort to burn other items constitutes misuse and will void your warranty. Misuse may also cause damage to the toilet or your property and could harm you or those around you.

ELECTRICAL SPECIFICATIONS

The Cinderella Comfort is designed to operate on a 220-240VAC circuit and a minimum of 10amp. It is delivered with a 15amp NEMA 6-15P plug and chord. If you do not have the appropriate receptacle available, please contact a licensed electrician to assist with your installation. For more detailed information, please see the Cinderella Comfort Installation Manual.



- When installing this product, be sure to follow all national electrical code regulations. Remember that there can also be special regional, local and municipal codes and ordinances for your area.
- Extension cords should not be used with this appliance.

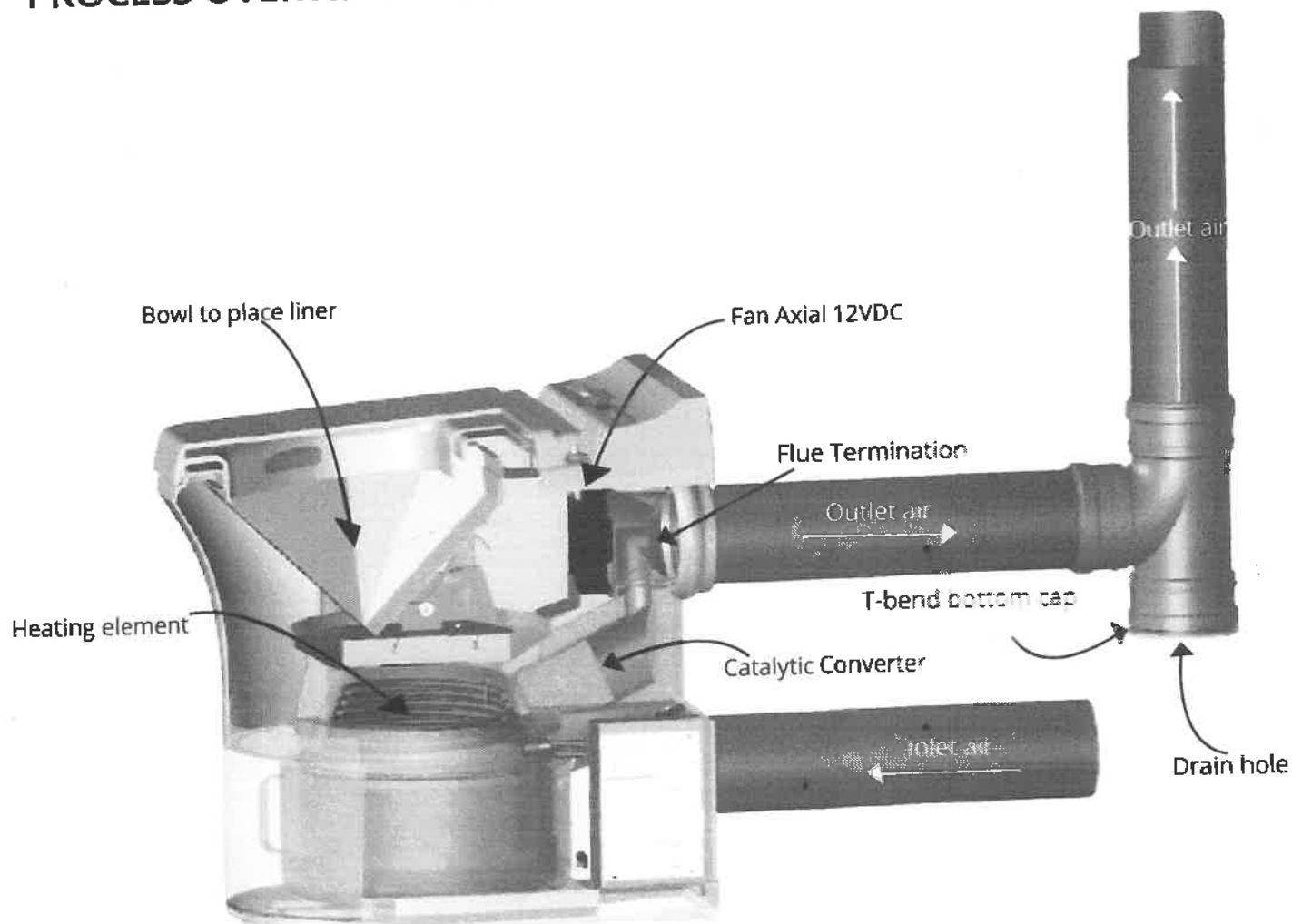
HOW THE CINDERELLA COMFORT WORKS

Cinderella Comfort sets an entirely new standard of comfort and convenience among incineration toilets. This is due largely to its ground-breaking new air circulation system, which supplies all air necessary for incineration from exterior air, and thus does not impact the air pressure and temperature of the room.

Using the toilet is simple and easy, with only the prerequisite of inserting the original bowl liner into the bowl before each use. This liner helps keep the waterless bowl clean and odor-free and serves as a transportation of all waste. After each use, at the touch of a button, the bowl liner with its contents is removed from the toilet bowl to an isolated incineration chamber at the bottom of the toilet, where it is safely incinerated at a high temperature, leaving only an insignificant amount of ash. During the incineration process, the air circulation system provides the oxygen necessary for proper incineration, removing excess heat rapidly and safely through the exhaust vent. All fumes and vapors are processed through a heat-activated platinum catalyst to reduce emissions and remove excess odor. Thanks to Cinderella Comfort's innovative design, all necessary air is provided from the exterior, eliminating the need to draw oxygen from inside the room.

The incineration process occurs in the background and automatically stops whenever the toilet needs to be used. Even when making a visit, users are never exposed to the incineration chamber or any partially incinerated waste. Numerous safeguards exist to ensure clean and easy usage of the toilet, without any safety risk. Cinderella Comfort's unique ventilation system ensures that the room temperature is not affected by the incineration process and allows users to continue using other air-dependent equipment such as ventilation fans as required.

PROCESS OVERVIEW - TECHNICAL DIAGRAM



- The incineration process is inactive while the toilet lid is open. The heater element will not start until the seat and lid are closed.
- The hatch to the incineration chamber CANNOT remain open while the toilet is still hot (e.g. during cleaning). This is only possible when the toilet has cooled down and the fan has stopped.
- Should a ventilation problem arise and the internal temperature of the toilet increase to exceed 170 °F (80°C), incineration will be interrupted and a warning message displayed. This situation requires a manual reset to ensure the ventilation issue is addressed before the toilet can be used again.
- If the ash container is improperly positioned after emptying, incineration will not start and a warning light and message will be displayed.
- The air circulation system will continue to operate, even in the case of a power failure, until the internal temperature of the toilet has returned to the normal range. The internal fan can continue to operate for up to five hours on battery power.
- If the incineration chamber hatch mechanism gets jammed or is prevented from closing properly, incineration will not start and an error message will be displayed.
- The Cinderella Comfort's on board computer includes a "watchdog" system which monitors internal temperatures and other indicators. If it detects anything unexpected, incineration will stop immediately and a warning message displayed.

SAFETY BACKUP BATTERY

Your Cinderella Comfort is equipped with a backup battery which is activated in the event of a power outage, for cooling down if the toilet is hot. If the power remains out for longer periods of time, battery lifetime will be reduced.

Test the battery as follows:

- Control that the toilet has been connected to the power supply for at least 2 days, before checking the battery.
- Unplug the toilet from the power supply.
- Open and close the toilet lid, the text in display will indicate that the battery is functional.
- If the battery is faulty, it must be replaced to ensure the safety of the toilet.

LISTINGS AND CERTIFICATIONS

Cinderella has been tested and approved by the consumer safety testing body UL, and meets the requirements of the NSF Protocol for Electrical Incinerating Toilets – Health and Sanitation.



SPECIAL-TYPE INCINERATOR
MH61230



NSF Protocol P157
Electrical Incinerating Toilets - Health and Sanitation
Replaces 1983 edition of NSF Standard 41

REGULAR MAINTENANCE



Failure to perform proper maintenance as described in the manual will void warranty.

In order to ensure optimal operation and extend the lifetime of your Cinderella Comfort, you will need to set aside a little time for preventative maintenance. Good maintenance routines will give you lower operating costs and cause less wear on the product.

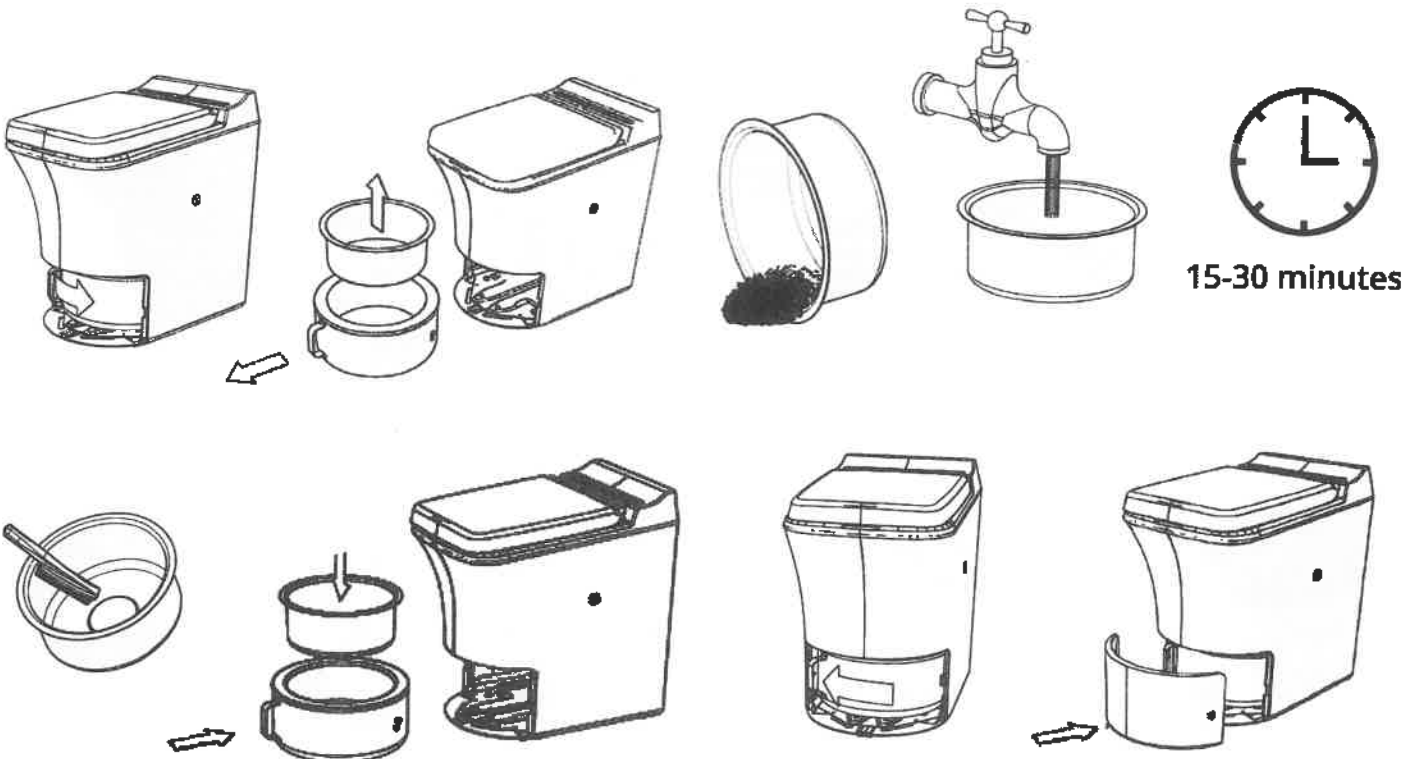


Removing the ash container while hot may cause burn injuries.

EMPTYING THE ASH CONTAINER

Recommended frequency: Weekly
1-6 steps as written:

1. Make sure that the toilet is cold and in standby mode.
2. Remove the front cover and rotate the ash container until the handle is pointing straight towards you.
3. The flashing red and yellow lights indicate that the ash container is out of position.
4. The display will read "Ash container out of position".
5. Remove the insert (the innermost bowl) and dispose the ash. Pour hot water into the insert and leave it for about 15-30 minutes, before cleaning with a brush (do not use any sharp tools).
6. Put the insert back into the ash container and place the container back into the toilet by rotating the handle to the left, until it stops. The red and yellow lights will turn off. The display reads "Ready for use" when the container is in the correct position. Place the front cover back on toilet.



It's recommended to always perform the steam cleaning as described on page 13, when the toilet is emptied and insert properly cleaned. This will improve the incineration efficiency and reduce the wear of critical components.